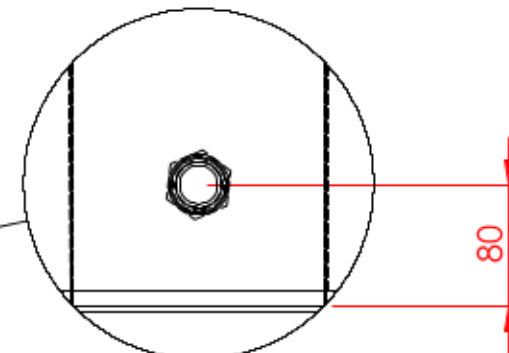
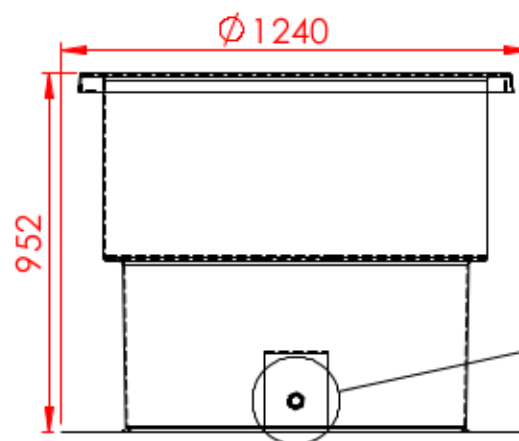
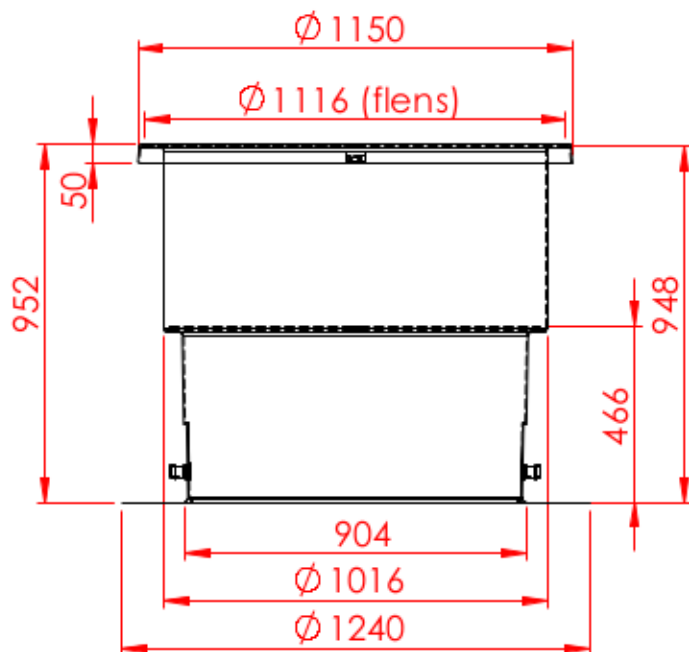
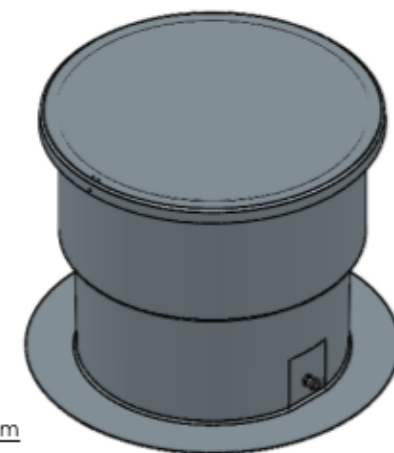
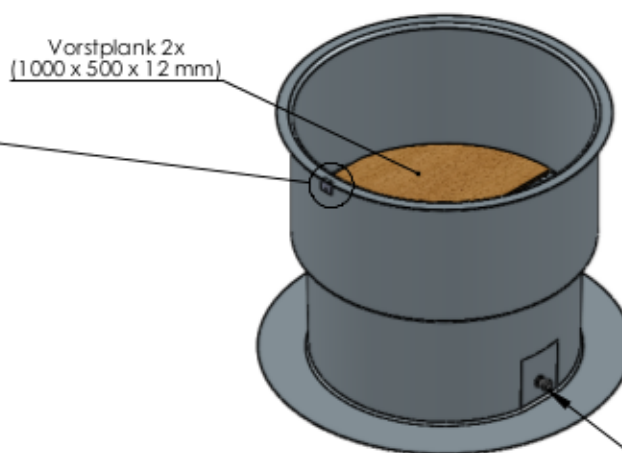


DETAIL A
SCALE 1 : 5
Aluminium slotvoorbereiding
50 x 40 x 20 mm



DETAIL B
SCALE 1 : 5

 ALPOMAT maakt 't in polyester Mandenmakerstraat 30 Tel: 0180-416656 2984 AS Ridderkerk Fax: 0180-419432			Klant		
			Product Buitenwatermeterput 1		
Tech.Tekenaar		Datum	Materiaal	Schaal	
RdeR		21-08-2013	Polyester	1:20	
Controle				Tekeningnr.	
Eenheid [mm]		Sheet 1 / 1		A	
<small>All rights reserved. This drawing is the property of Alpomat. Kunststoffen and may not be copied or multiplied neither wholly nor partly. It may not be submitted for perusal to third parties either.</small>					